



SAL

SHIP PARTICULARS TYPE 161B

Name	Built	Flag
Maria	2004	German
Annette	2003	Antigua & Barbuda

GENERAL INFORMATION

Type	High-Speed Heavy Cargo Vessel
Classification	HULL GL+100 A5 SOLAS II-2 REG. 19 General Cargo Ship, strengthened for Heavy Lift Cargo Machinery MC AUT

TONNAGE

DWT (abt.)	8,919 mt
GT / NT (Int'l 69)	8,383 / 4,196
GT / NT (Suez)	8,585 / 6,934
NT (Panama)	7,624

MAIN DATA

LOA	151.67 m
Beam	20.40 m
Summer Draft	7.85 m
Max Speed (abt.)	20 knots

HOLDS/HATCHES

Number	1 Hold / 1 Hatch
Hold No. 1	82.90 m x 15.80 m x 10.95 m
Hatch Cover	MacGregor hydraulic operated combined folding type and lift and roll type

CARGO CAPACITY

With Tweendeck	13,604 cbm / 480,430 cbft Bale
----------------	--------------------------------

FLOOR SPACE

Free deckspace dims	124.00 m x 20.50 m
Free deckspace	2,329 m ²

MAX. PERMISSABLE LOAD

Tanktop	15 mt/m ²
Tweendeck	4 mt/m ²
Hatchcovers	3 mt/m ²

CARGO HANDLING GEAR

Cranes	2 x 350 mt (portside) + 1 x 250 mt
Combined Lift Capacity	770 mt

SPECIAL EQUIPMENT/FEATURE

Bowthruster	900 kW
-------------	--------

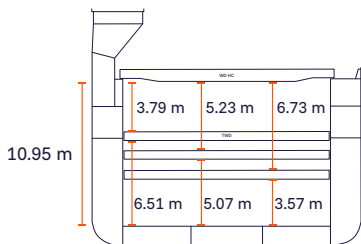
All details including speed are given in good faith and can vary on the individual vessels. They are to be considered „about“, are given without guarantee and must not be used as basis for charterparties or contracts without SAL's explicit written authority.

Last Revised: April 2026

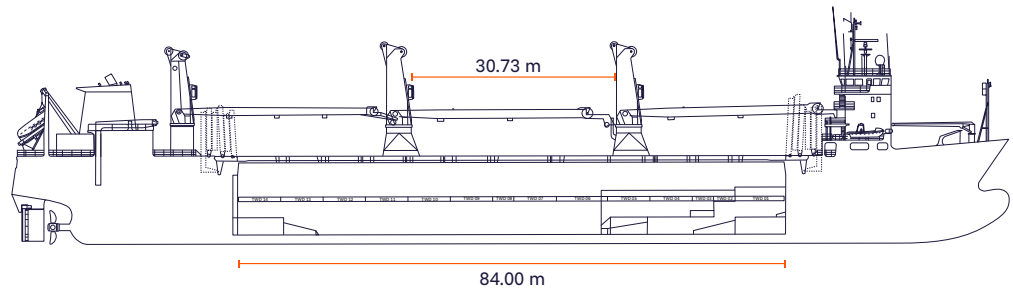
**TYPE 161B
MARIA
ANNETTE**

SAL

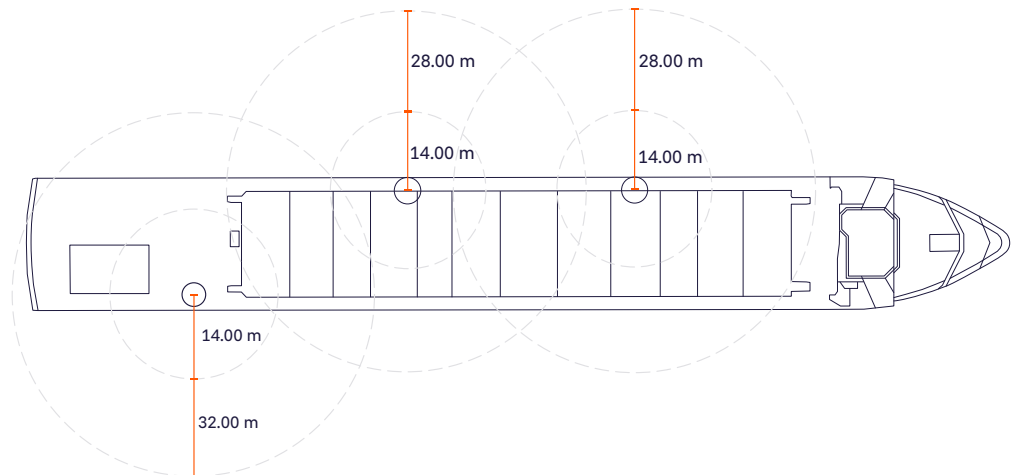
BACK



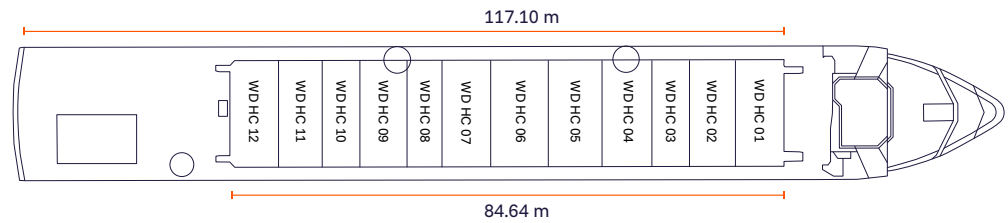
SIDE



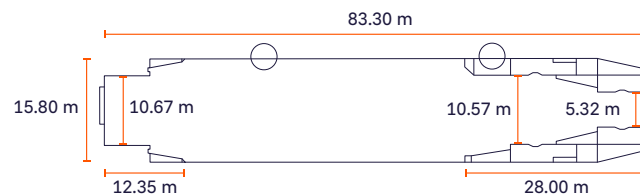
MAINDECK



TWEENDECK



TANKTOP



All details including speed are given in good faith and can vary on the individual vessels. They are to be considered „about“, are given without guarantee and must not be used as basis for charterparties or contracts without SAL's explicit written authority.

Last Revised: March 2026