



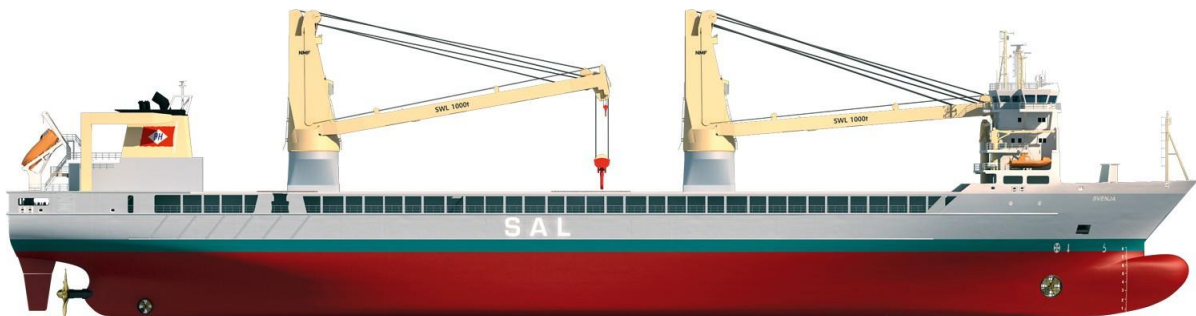
---

## MV SVENJA SHIP'S PARTICULARS

TYPE 183 / DP 1

High-speed heavy cargo vessel

---



All details are given in good faith but without guarantee of accuracy and completeness

# MV SVENJA SHIP'S PARTICULARS

TYPE 183 / DP 1



**Flag of Registry:** German  
**Port of Registry:** Hamburg

**Owner:** SAL Heavy Lift GmbH  
**Operator:** SAL Heavy Lift GmbH  
**Technical Manager:** SAL Ship Management UG (haftungsbeschränkt) & Co. KG  
**HSE Manager:** SAL Ship Management UG (haftungsbeschränkt) & Co. KG

**Classification:** Germ. Lloyd +100 A5 "Multi-Purpose Dry Cargo Ship", "HEAVY LIFT SHIP", "EP", "BWM-S", "Hatchcoverless", "DP-1", "DG", + MC AUT

**Keel Laying:** 2007/12  
**Commissioning date:** 2010/12  
**Shipyard:** J.J. Sietas KG  
**Newbuilding No.:** 1279

<b>Length over all:</b>	160.50 m	<b>Speed @ 85% MCR:</b>	18 kn
<b>Length between perps.:</b>	149.38 m	<b>Air draught (jibs in rest.):</b>	41.09 m
<b>Breadth moulded:</b>	27.50 m	<b>Air draught (jibs upright):</b>	66.47 m
<b>Breadth over all:</b>	27.91 m		
<b>Depth moulded:</b>	13.80 m		

**GT (int'l 69):** 15 199 t  
**NT (int'l 69):** 4 559 t  
**GT (Suez):** 15 670.10 t  
**NT (Suez):** 14 894.01 t  
**NT (Panama):** 12 925 t

<i>(Summer)</i>		<i>(Summer – Open Top)</i>	
<b>Draught:</b>	9.01 m	<b>Draught:</b>	7.50 m
<b>Deadweight:</b>	12 501 t	<b>Deadweight:</b>	7 396 t
<b>Freshwater Allowance:</b>	165 mm	<b>Freshwater Allowance:</b>	145 mm
<b>Freeboard:</b>	1.809 m	<b>Freeboard:</b>	3.309 m
<b>Displacement:</b>	23 600 t	<b>Displacement:</b>	18 500 t

**Capacity BW:** 10 493 m<sup>3</sup>  
**Capacity GO:** 227 m<sup>3</sup>  
**Capacity HFO:** 1686 m<sup>3</sup>  
**Capacity FW:** 261 m<sup>3</sup>

**Cargo gear:** 2 cranes, each 1000 t SWL (in combination 2000 t); Auxiliary hoist 2 x 60 t; Slings hoist 2 x 10 t. Auxiliary hoist proved for man riding

**Hatch cover:** MacGREGOR hydraulic operated combined folding type and lift and roll type

**Number of holds:** 1  
**Number of hatches:** 1  
**Dimension of hold:** 107.1 x 17.0 x 13.5 m  
**Volume of hold:** 18 470 m<sup>3</sup> (with tweendeck)  
**Bale capacity:** 626 310 cuft  
**Free deckspace:** 3427 m<sup>2</sup>

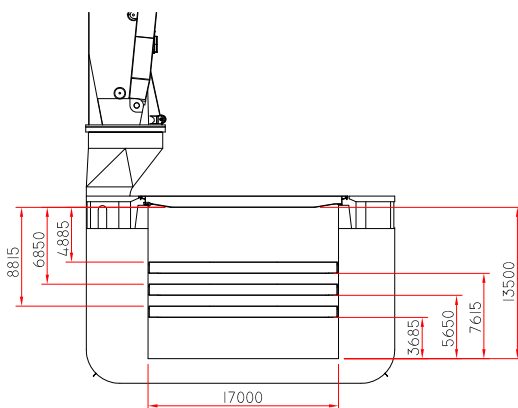
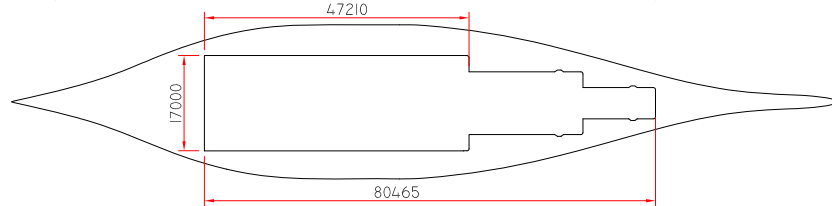
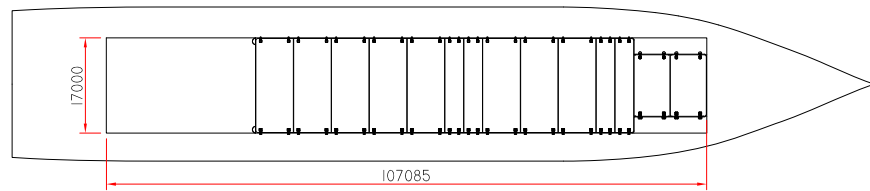
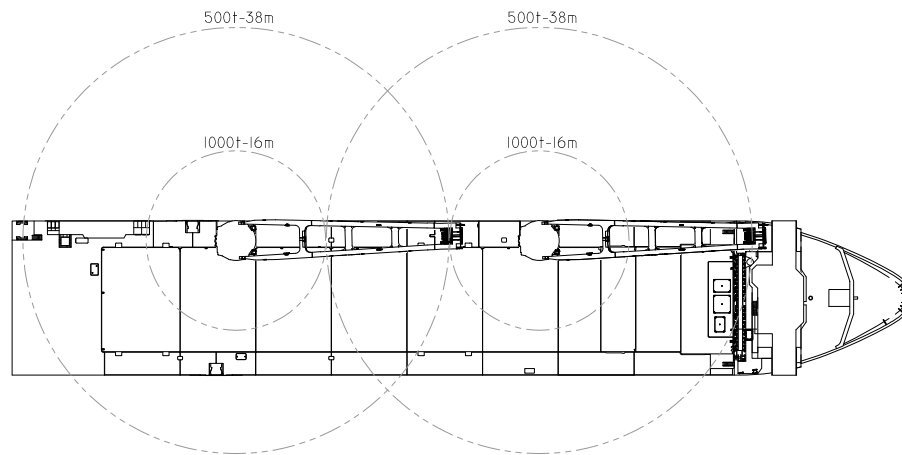
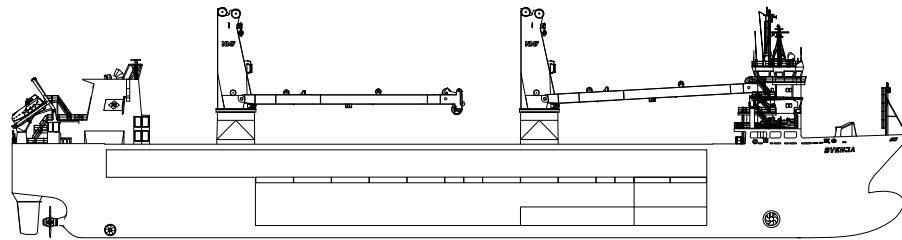
**Main Engine:** MAN 9L 58/64; 12 610 kW @ 428 min-1  
**Rudder:** Flap type spade rudder (high efficiency rudder)  
**Bow Thruster:** Brunvoll 1200 kW  
**Aft Tunnel:** Brunvoll 745 kW

**Certifications:**



# MV SVENJA SHIP'S PARTICULARS

TYPE 183 / DP 1



All details are given in good faith but without guarantee of accuracy and completeness